

# B100-SA

## MINI STANDALONE BIOMETRIC READER

B100-SA is a simple one-door standalone biometric system (or 2 doors when used with DINRTT). The reader programming is quick and easy. It can store up to 100 finger templates (98 users and 2 for programming). It has one integrated relay output and one exit button input. If secure installation is needed, the reader can be connected to a remote relay unit in a secured area, which also plays the role of exit push button. Complete setup and programming can be done by scrolling on the sensor.

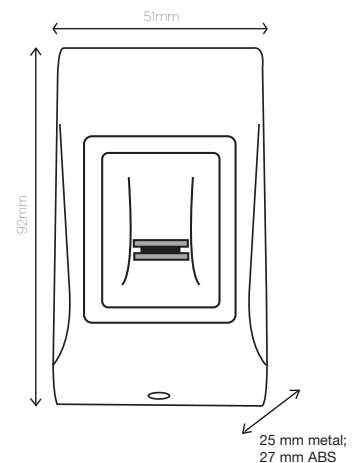


CAN BE CONNECTED TO REMOTE RELAY UNIT FOR SECURE INSTALLATION

### FEATURES

- Capacity: 100 Finger templates (98 users, 1 Admin, 1 Installer)
- Push Button Input: Yes
- Output: 1 x Relay (2A, 24V AC/DC)
- Connection: Cable (1m) and resin potted
- Door Time: Pulse (1, 3, 5, 10, 20, 30, 60 s) or Toggle (ON/OFF)
- Entry Mode: Finger
- Image resolution: Up to 508 dpi
- Sensor: Swipe Capacitive
- Programming: By scrolling on the sensor
- Admin/Installer fingers: 1 Admin and 1 Installer finger
- Backlight ON/OFF: Yes
- Buzzer ON/OFF: Yes
- Consumption: 100 mA
- Indication: Tricolor LED
- Mounting: Surface mount
- IP factor: IP65
- Operating temperature: -15°C to +50°C

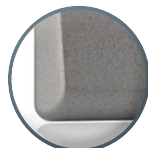
### DIMENSIONS



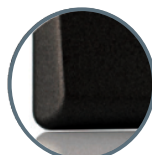
### VERSIONS



**B100S-SA**  
Silver - Metal

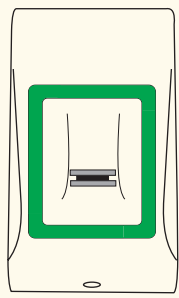


**B100C-SA**  
Charcoal - Metal

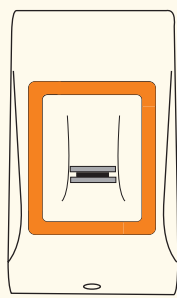


**B100BK-SA**  
Black - ABS

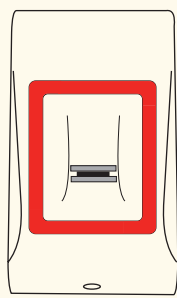
# Tricolor Indication uni-LED



Access Granted



Idle Mode



Access Denied



## WITH REMOTE RELAY AT SECURED AREA

